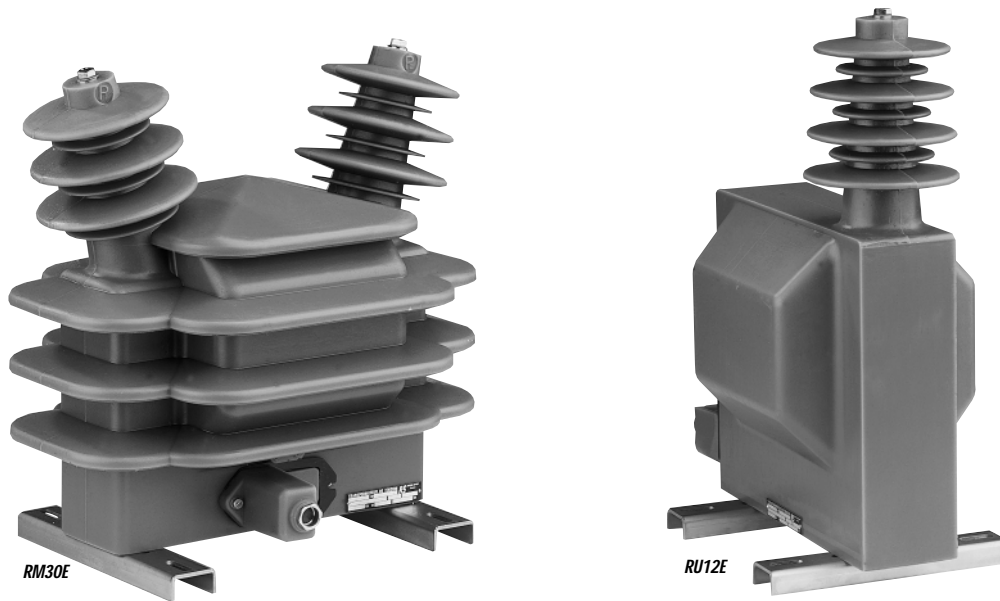


OUTDOOR SINGLE PHASE VOLTAGE TRANSFORMERS



- **Outdoor**
- **Single or double pole**
- **3.6 - 7.2 - 12 - 17.5 - 24 - 36 kV**

Outdoor single or double pole voltage transformers vacuum moulded in self extinguishing epoxy resin for the measurement of AC voltages between phases or between phase and earth up to 36 kV, with rated outputs up to 50VA cI0.5 or 100VA cI1. The secondary terminals are protected by a weatherproof cover. This range is also suitable for the power supply of auxiliaries up to 2500 VA cIA

Technical data

Rated insulation level	3.6/16/45 kV to 36/70/170 kV
Primary voltage U_{pn}	Up to 36000 V
Secondary voltage U_{sn}	100 - 110 V
Frequency	50 or 60 Hz
Rated output	Up to 50 VA cI0.5 - 100VA cI1 - 300 VA cI3
Accuracy class	0.1 - 0.2 - 0.5 - 1 - 3 - 3P - 6P
Voltage factor	1.9 U_{pn} 30s for single pole 1.2 U_{pn} continuously for double pole
Thermal limiting output	Up to 2500 VA
Insulation class	A
Ambient temperature	-40 °C to + 70 °C
Standards	CEI 60044-2 · NF C42501 · VDE 0414 · BS 3941

Other characteristics on request

Secondary voltage U_{sn}	10 to 600 V
Voltage factor	1.9 U_{pn} 8h for single pole
Ambient temperature	Up to +110 °C
Secondary windings	Up to 3 secondary windings
Standards	ANSI C57.13 · CAN3 C13 · AS 1675

OUTDOOR SINGLE PHASE VOLTAGE TRANSFORMERS

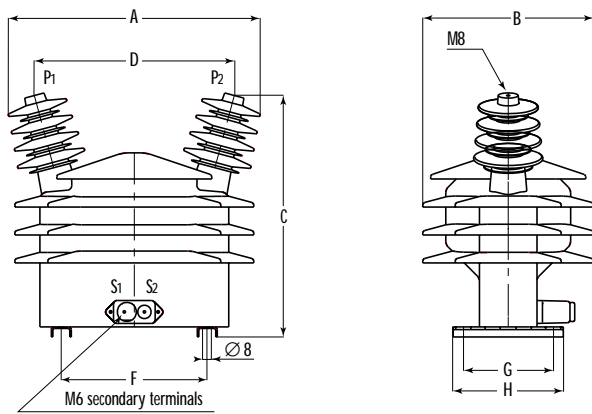
Selection table

Type	Un kV	Up kV	Rated output maximum VA			Thermal output VA
			cl 0.5	cl 1	cl 3	
1 - pole						
RU12E	36/70/170	up to 35: $\sqrt{3}$	50	100	300	up to 500
2 - pole						
RM20E	24/50/125	up to 22	50	100	300	up to 750
RM25E	24/50/125	up to 22	50	100	300	up to 500
RM30E	36/70/170	up to 35	50	100	300	up to 2500

Dimensions

Type	Creepage distance		Weight kg	A mm	B mm	C mm	D mm	F mm	G mm	H mm	J mm
	PE mm	PP mm									
RU12E	740	-	30	385	190	470	-	191	200	220	20
RM20E	805	890	34	390	270	380	290	250	200	220	20
RM25E	930	1590	37	570	220	500	470	190	200	220	20
RM30E	1030	1240	69	500	350	485	400	292	200	220	20

RM



RU12E

