

SINGLE PHASE 2-POLE VOLTAGE TRANSFORMERS - RM SERIES



RM5



RM7

- **Indoor**
- **3.6 - 7.2 - 12 - 17.5 - 24 - 36 kV**

Double pole voltage transformers vacuum moulded in self extinguishing epoxy resin for the measurement of AC voltages between phases up to 36 kV, with rated outputs up to 100VA cI0.2 or 150VA cI0.5. This range is also suitable for the power supply of auxiliaries up to 2500 VA cIA.

Technical data

Rated insulation level	3.6/16/45 kV to 36/70/170 kV
Primary voltage U_{pn}	Up to 36000 V
Secondary voltage U_{sn}	100 - 110 V
Frequency	50 or 60 Hz
Rated output	Up to 100VA cI0.2 - 150VA cI0.5 - 200VA cI1
Accuracy class	0.1 - 0.2 - 0.5 - 1 - 3 - 3P - 6P
Voltage factor	1.2 U_{pn} continuously
Thermal limiting output	Up to 2500 VA
Insulation class	A
Ambient temperature	- 40 °C to + 70 °C
Standards	CEI 60044-2 - NF C42501 - VDE 0414 - BS 3941

Other characteristics on request

Secondary voltage U_{sn}	10 to 600 V
Ambient temperature	Up to +110 °C
Secondary windings	Up to 3 secondary windings
Standards	ANSI C57.13 - CAN3 C13 - AS 1675

SINGLE PHASE 2-POLE VOLTAGE TRANSFORMERS - RM SERIES

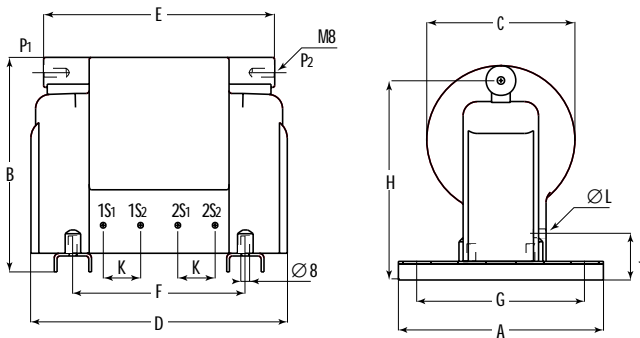
Selection table

Type	Un kV	Up kV	Rated output maximum VA			Thermal output VA
			cl 0.5	cl 1	cl 3	
			RM5	7.2/20/60	Up to 6.6	
RM7	7.2/20/60	Up to 6.6	60	100	150	Up to 300
RM10	12/28/75	Up to 11	50	75	150	Up to 400
RM15	17.5/38/95	Up to 15	75	150	300	Up to 750
RM30	36/70/170	Up to 35	150	200	500	Up to 2500

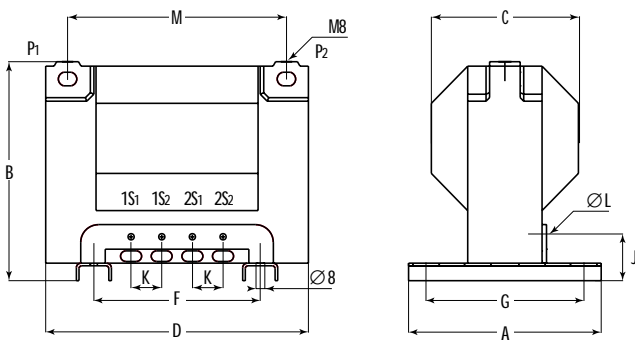
Dimensions

Type	Weight kg	A mm	B mm	C mm	D mm	E mm	F mm	G mm	H mm	J mm	K mm	L mm	M mm
RM5	11	220	198	133	251	190	160	180	188	40	40	6	-
RM7	16	220	205	120	270	-	185	180	-	33	35	8	225
RM10	16	220	231	159	275	248	185	180	214	50	40	8	-
RM15	21	220	250	168	300	-	190	180	-	50	35	8	250
RM30	52	220	360	250	378	-	310	180	-	50	40	8	320

RM5 - RM10



RM7 - RM15



RM30

