

OUTDOOR CURRENT TRANSFORMERS



T30E



RC15E

- **Outdoor**
- **7.2 - 12 - 17.5 - 24 - 36 kV**
- **Primary current up to 14000 A**
- **Ith up to 1000 Ipn**

Outdoor current transformers vacuum moulded in self extinguishing epoxy resin for the measurement of AC currents up to 14000A. They are equipped with a weatherproof terminal box fitted with 2 cable glands.

Technical data

Rated insulation level	7.2/20/60 kV to 36/70/170 kV
Primary current Ipn	0 to 14000 A
Secondary current Isn	5 or 1 A
Frequency	50 or 60 Hz
Rated output	1 to 60 VA
Accuracy class	0.1 - 0.2 - 0.2S - 0.5 - 0.5S - 1 - 3 - 5P - 10P - cIX
Accuracy limit factor	5 - 10 - 15 - 20 - 30
Continuous thermal current	1.2 Ipn
Short-time thermal current Ith	80 to 1000 Ipn
Dynamic current Idyn	2.5 Ith
Insulation class	E
Ambient temperature	-40° C to + 70 °C
Standards	CEI 44-1 - NF C42502 - VDE 0414 - BS 7626

Other characteristics on request

Secondary current Isn	0.005 to 10 A
Double ratio	Secondary tapping for RC series and T24E model
Double ratio	Primary change-over for T30E model
Multiple cores	Up to 4 separate cores
Standards	ANSI C57.13 - CAN3 C13 - AS 1675

Accessories / Options

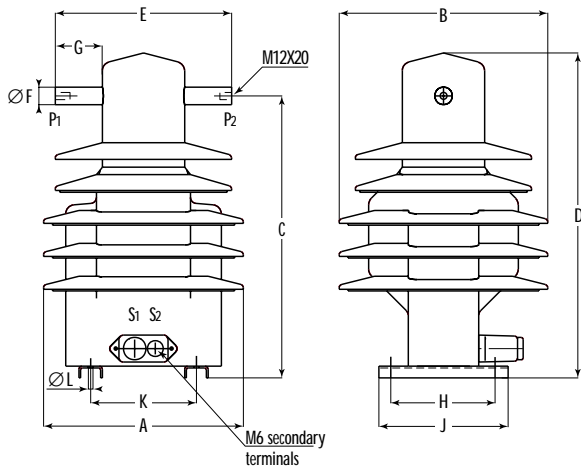
Shield	On RC series
--------	--------------

OUTDOOR CURRENT TRANSFORMERS

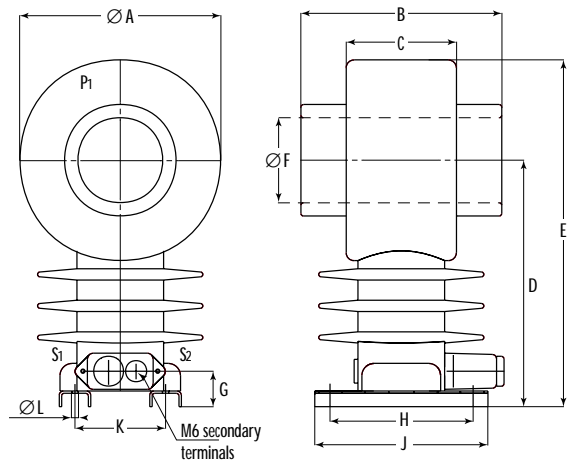
Selection table and dimensions

Type	Un kV	Creepage distance mm	Weight kg	A mm	B mm	C mm	D mm	E mm	F mm	G mm	H mm	J mm	K mm	L mm
T24E	24/50/125	835	28	345	270	370	500	245	30	65	200	220	180	8
T30E	36/70/170	1000	53	370	355	480	610	300	30	80	200	220	180	8
RC15E	24/50/125	490	22	255	255	140	310	438	106	42	190	220	115	8
RC306-250E	24/50/125	720	75	494	210	110	508	755	250	52	265	300	250	12.5
RC306E	24/50/125	700	71	494	210	110	508	755	306	52	265	300	250	12.5

T24E - T30E



RC15E - RC306E - RC306-250E



Installation

in 24kV, for the RC15E model, it is advisable that the conductor passing through the transformer should be round, with a maximum diameter of 80 mm, centered in the hole. A bar may be used provided that its angles are rounded.