

POST TYPE CURRENT TRANSFORMERS - CB SERIES



CB131A1



CB431A4

- **Indoor**
- **7.2 - 12 - 17.5 - 24 - 36 kV**
- **Primary current from 0 to 3000 A**
- **Ith up to 1000 Ipn or 100 kA.1s**
- **Compact size**
- **Cast-resin insulated**
- **Low level of partial discharges**
- **Up to 5 cores.**

Current transformers vacuum moulded in self extinguishing epoxy resin for the measurement of AC currents up to 3000A. This comprehensive and compact range of current transformers has been designed to meet the requirements of MV switchgear manufacturers. It offers a very low level of partial discharges. It allows double-ratio up to 600-1200A and offers up to 5 separate cores.

Technical data

Rated insulation level	7.2/20/60 kV to 36/70/170 kV
Primary current Ipn	Up to 3000 A
Secondary current Isn	5 or 1 A
Frequency	50 or 60 Hz
Rated output	1 to 100 VA
Accuracy class	0.1 - 0.2 - 0.2S - 0.5 - 0.5S - 1 - 3 - 5P - 10P - cIX
Security factor	5 to 10
Accuracy limit factor	5 - 10 - 15 - 20 - 30
Continuous thermal current	1.2 Ipn
Short-time thermal current Ith	Up to 1000 Ipn or 100 kA.1s
Dynamic current Idyn	2.5 Ith
Insulation class	E
Ambient temperature	-40°C to + 70°C
Standards	CEI 44-1 - NF C42502 - VDE 0414 - BS 7626

Other characteristics on request

Power frequency withstand voltage	Up to 75 kV
Secondary current Isn	0.005 to 10 A
Double ratio	5-10 to 600-1200A by primary change-over
Multiple cores	Up to 5 cores
Ambient temperature	Up to +110 °C
Standards	ANSI C57.13 - CAN3 C13 - AS 1675

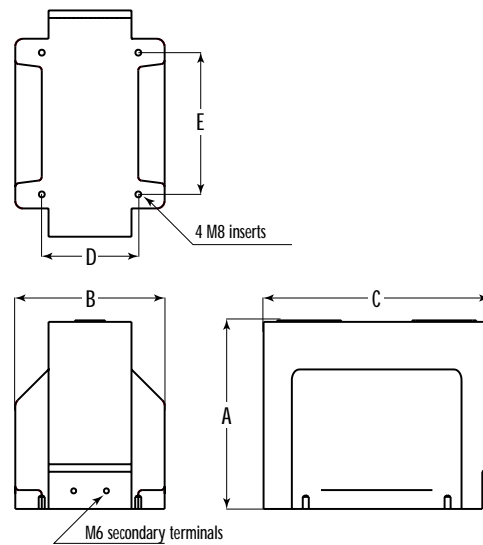
Accessories / Options

- Base plate
- Sealable terminal cover

POST TYPE CURRENT TRANSFORMERS - CB SERIES

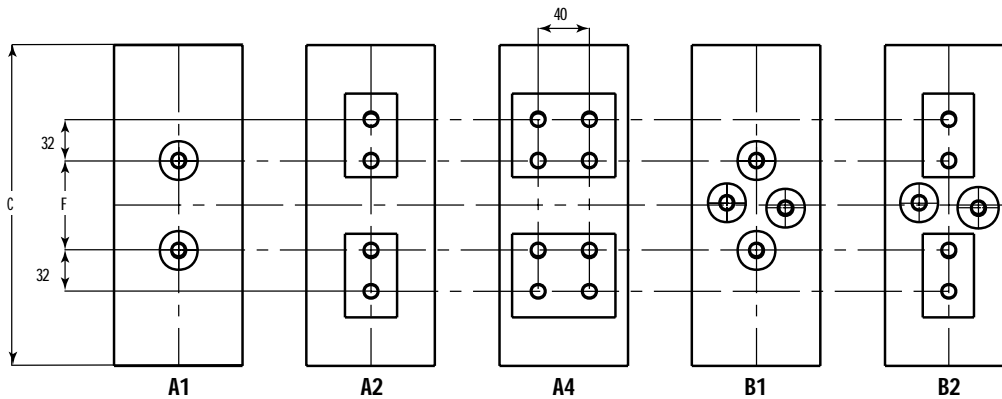
Selection table and dimensions

Type	Un kV	Weight kg	A mm	B mm	C mm	D mm	E mm
CB110	24/50/125	10	220	148	150	128	72
CB111	24/50/125	12	220	148	190	128	104
CB112	24/50/125	14	220	148	250	128	138
CB113	24/50/125	16	220	148	300	128	188
CB114	24/50/125	12	220	148	350	128	238
CB120	24/50/125	12	220	158	150	128	72
CB131	24/50/125	16	220	178	190	128	104
CB132	24/50/125	21	220	178	250	128	138
CB133	24/50/125	25	220	178	300	128	188
CB134	24/50/125	29	220	178	350	128	238
CB220	24/50/125	14	250	158	150	128	72
CB231	24/50/125	19	250	178	190	128	104
CB232	24/50/125	23	250	178	250	128	138
CB233	24/50/125	28	250	178	300	128	188
CB234	24/50/125	30	250	178	350	128	238
CB241	24/50/125	19	250	198	190	128	104
CB242	24/50/125	24	250	198	250	128	138
CB243	24/50/125	29	250	198	300	128	188
CB244	24/50/125	34	250	198	350	128	238
CB431	36/70/170	24	360	178	190	128	104
CB432	36/70/170	30	360	178	250	128	138
CB433	36/70/170	35	360	178	300	128	188
CB434	36/70/170	41	360	178	350	128	238
CB441	36/70/170	26	360	198	190	128	104
CB442	36/70/170	32	360	198	250	128	138
CB443	36/70/170	37	360	198	300	128	188
CB444	36/70/170	43	360	198	350	128	238
CB451	36/70/170	28	360	228	190	128	104
CB452	36/70/170	34	360	228	250	128	138
CB453	36/70/170	39	360	228	300	128	188
CB454	36/70/170	45	360	228	350	128	238



Primary terminals table

Ip	Single ratio primary			Double ratio primary	
	0...600A	800...1200A	1500...3000A	Up to 400-800A	Up to 600-1200A
C mm	F mm	F mm	F mm	F mm	F mm
150	70	-	-	-	-
190	70	50	50	74	-
250	120	70	70	74	74
300	120	120	120	120	120
350	170	170	170	170	170



Installation

- Primary terminals: M12 with 23mm useful depth
- Tightening torque for primary terminals: 50Nm