

WOUND PRIMARY CURRENT TRANSFORMERS - T SERIES



T2



T20

- **Indoor**
- **7.2 - 12 - 17.5 - 24 - 36 kV**
- **Primary current from 0 up to 600 A**
- **Cast-resin insulated**
- **Ith up to 1000 Ipn**

Current transformers vacuum moulded in self extinguishing epoxy resin, for the measurement of AC currents up to 600 A. This range is also available with double-ratio up to 300-600A by primary change-over.

Technical data

Rated insulation level	7.2/20/60 kV to 36/70/170 kV
Primary current I _{pn}	0 to 600 A
Secondary current I _{sn}	5 or 1 A
Frequency	50 or 60 Hz
Rated output	1 to 100 VA
Accuracy class	0.1 - 0.2 - 0.2S - 0.5 - 0.5S - 1 - 3 - 5P - 10P - cIX
Security factor	5 to 10
Accuracy limit factor	5 - 10 - 15 - 20 - 30
Continuous thermal current	1.2 I _{pn}
Short-time thermal current I _{th}	Up to 1000 I _{pn}
Dynamic current I _{dyn}	2.5 I _{th}
Insulation class	E
Ambient temperature	-40°C to +70°C
Standards	CEI 44-1 - NF C42502 - VDE 0414 - BS 7626

Other characteristics on request

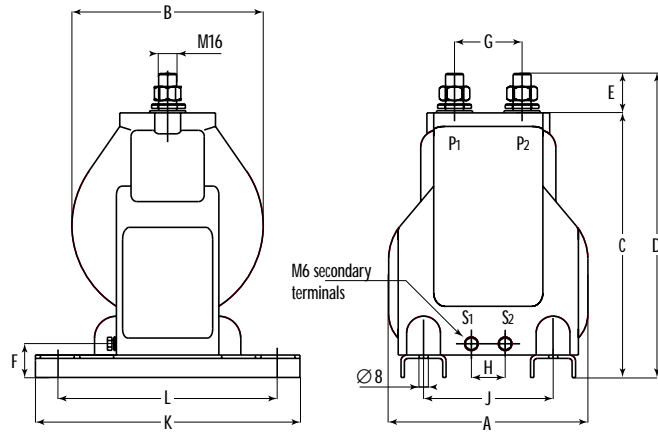
Double-ratio	5-10 to 300-600 A by primary change-over
Secondary current I _{sn}	0.005 to 10 A
Multiple cores	Up to 3 cores
Ambient temperature	Up to +110°C
Standards	ANSI C57.13 - CAN3 C13 - AS 1675

WOUND PRIMARY CURRENT TRANSFORMERS - T SERIES

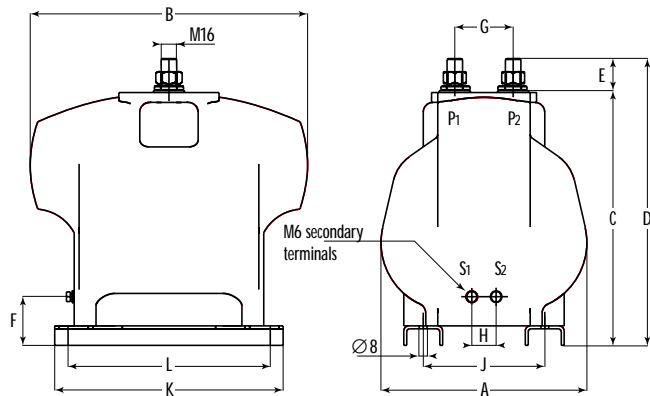
Selection table and dimensions

Type	Un kV	Weight kg	A mm	B mm	C mm	D mm	E mm	F mm	G mm	H mm	J mm	K mm	L mm
T2	17.5/38/95	11	178	170	235	270	35	30	60	30	115	236	200
T3	17.5/38/95	13	178	190	235	270	35	30	60	30	115	236	200
T5	17.5/38/95	25	212	280	255	290	35	50	60	30	125	236	200
T20	24/50/125	18	255	176	295	340	35	45	60	40	160	220	180
T22	24/50/125	25	252	232	298	343	35	40	60	35	180	220	180
T30	36/70/170	24	275	212	325	370	35	40	60	35	185	220	180
T32	36/70/170	39	272	254	351	396	35	40	60	40	180	220	180

T2 - T3



T5



T20... T32

