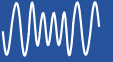




M3528

Battery and Capacitor Chargers

Undervoltage Solutions for AC Drives

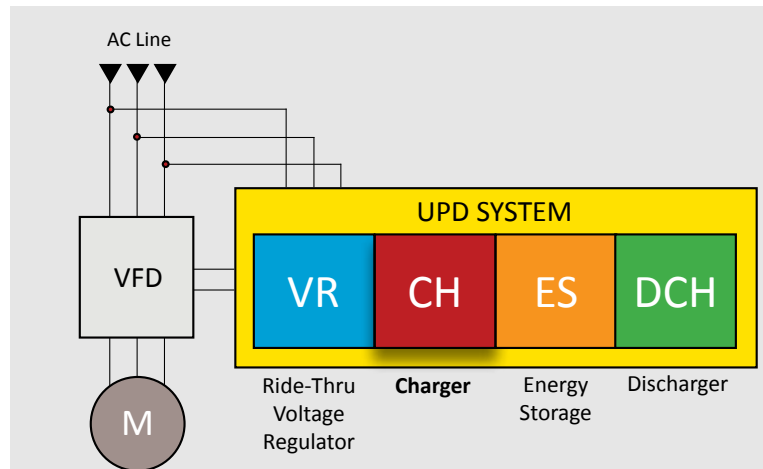


Bonitron M3528 Chargers maintain energy levels in batteries and ultracapacitors.

Some industrial systems require back-up power to protect critical processes from power outages and voltage sags. Energy storage devices such as batteries and capacitors are required for outage protection. A charger is necessary to keep the energy storage reservoirs at the appropriate levels.

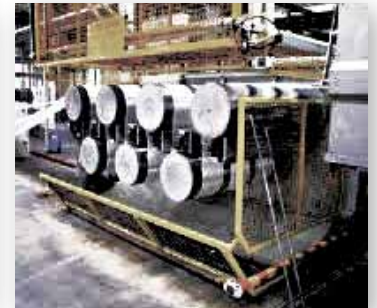


When used with
Capacitors



The charger charges capacitor or battery banks for energy storage.

Industry Applications



Critical Data | Elevators | Extrusion | Fibers | Semiconductor | Textiles | & More!



www.bonitron.com



615-244-2825

info@bonitron.com



Model Number Selection

Model Number	Charger				Transformer Model Number	
	Input voltage	Max Charge Current	Charge Voltage	Dimensions (H x W x D)	Ultracapacitor System	Battery System
208 - 230VAC						
M3528AC-L010-A6	160-253VAC	10A	175-325VDC	18.60 x 6.25 x 11.25"	XR ISO-1.5KVA-240D-240D	XR ISO-3KVA-240D-240D
M3528DC-L010-A6	250-375VAC	10A	175-325VDC	18.60 x 6.25 x 11.25"	<i>For use with 20 & 40A M3534 Voltage Regulators.</i>	
M3528AC-L020-K8	160-253VAC	20A	175-325VDC	20.00 x 8.20 x 11.10"	XR ISO-3KVA-240D-240D	XR ISO-6KVA-240D-240D
380 - 415VAC						
M3528AC-E010-A6	277-506VAC	10A	325-600VDC	18.60 x 6.25 x 11.25"	XR ISO-2.5KVA-415D-415D	XR ISO-5KVA-415D-415D
M3528DC-E010-A6	375-713VAC	10A	325-600VDC	18.60 x 6.25 x 11.25"	<i>For use with 20 & 40A M3534 Voltage Regulators.</i>	
M3528AC-E020-K8	277-506VAC	20A	325-600VDC	20.00 x 8.20 x 11.10"	XR ISO-5KVA-415D-415D	XR ISO-12KVA-415D-415D
440 - 480VAC						
M3528AC-H010-A6	277-506VAC	10A	325-600VDC	18.60 x 6.25 x 11.25"	XR ISO-3KVA-480D-480D	XR ISO-6KVA-480D-480D
M3528DC-H010-A6	375-713VAC	10A	325-600VDC	18.60 x 6.25 x 11.25"	<i>For use with 20 & 40A M3534 Voltage Regulators.</i>	
M3528AC-H020-K8	277-506VAC	20A	325-600VDC	20.00 x 8.20 x 11.10"	XR ISO-6KVA-480D-480D	XR ISO-12KVA-480D-480D

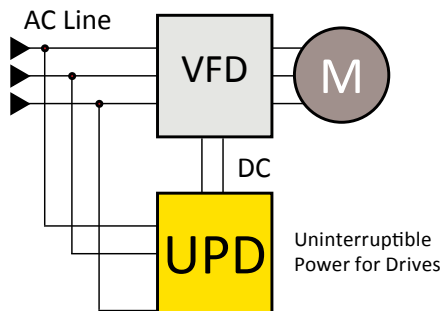
Complete Systems Available

Parallel Connection

- High Reliability
- Seamless power transfer

Increased Efficiency

- Ultra low standby power
- Sized to drive systems
- Few AC/DC conversions



Battery Modules



M3528B

The M3528B is a scalable for simple integration and Battery Bank designed to provide emergency power during power outages. Multiple units can be connected for higher voltages and for longer outage protection.

Learn more at
Bonitron.com/undervoltage



Scan for more
Information